

GEZS-ELAN Lift-Assist Stay

Up & over opening

Opening Direction	Description	Door Width	Door Height	Door Weight※
 Up & Over	Lift-assist Free stop Soft-close	Max. 1200	500-750	5-12.5 kg

Features

- Patented mechanism controls door opening and closing softly and smoothly
 - Door can be opened with a slight force (see Fig.1)
 - Door can be stopped in any position in the range of about 30° to 70° (see Fig.2)
 - Door closes slowly in the range of about 0° to 20° (see Fig. 3)
- Installed on the bottom of cabinet top board for maximum space inside the cabinet
- No hinges and connecting bar required for installation
- Installation position of the main body is easily determined by aligning to the bottom surface of top board and cabinet edge (see Fig.4)
- Mounting plate can be quickly attached to the main body (see Fig.5)
- Torque adjustment according to the door weight is unnecessary
- Passed 30,000 life cycle test

Notes

- Operating temperature: 0°C - 40°C
- Used in pairs
- Never push down the arm of single stay before installation
- Do not open the door further in fully opened position
- Do not open and close the door roughly


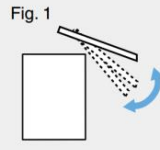
Parts Included

- Mounting plate
- Countersunk head tapping screw 3.5×38 for main body
- Binding head tapping screw 3.5×15 for mounting plate

3 Functions in 1 Stay


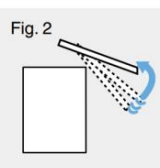
●Lift-assist

Door can be opened with a slight force.


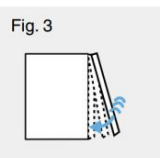
●Free stop

Door can be stopped in any position in the range of about 30° to 70°.

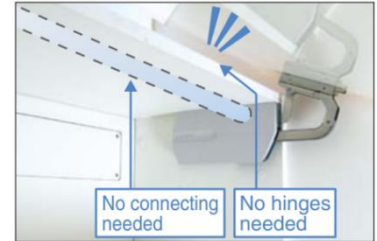
●Soft-close

Door closes slowly in the range of about 0° to 20° even if you release your hands from the door.

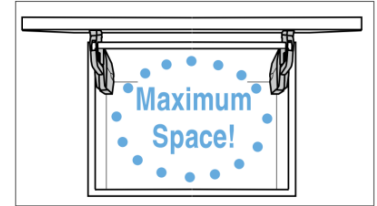





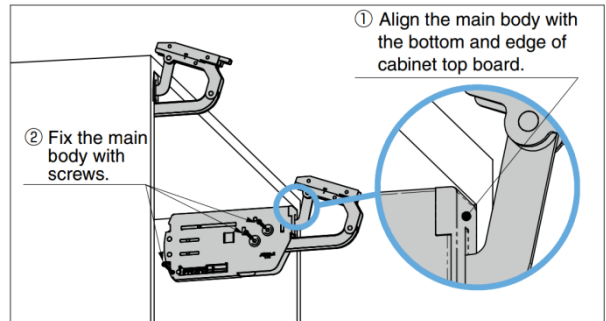
No need to install connecting bar and hinge separately, maximising space inside of cabinet



Slim design maximises space inside of cabinet

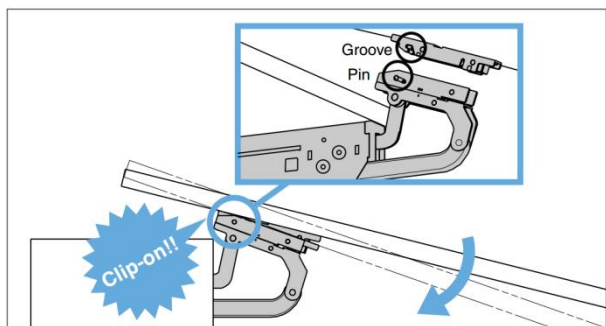


Easy Installation (Fig.4)

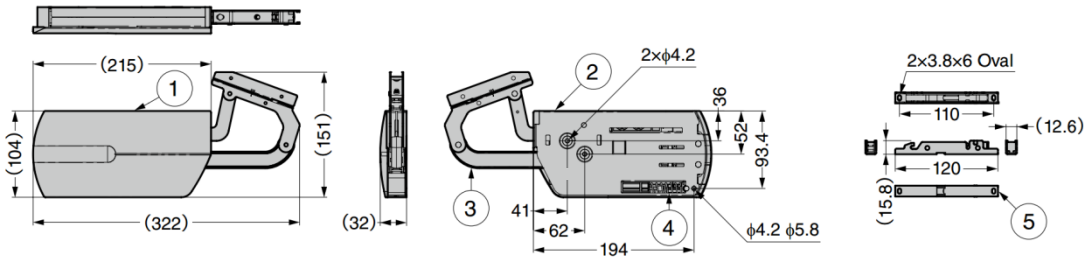


Installation position is determined simply by pressing the main body against the bottom surface of top board and aligning the surface indicated by ① with cabinet edge.

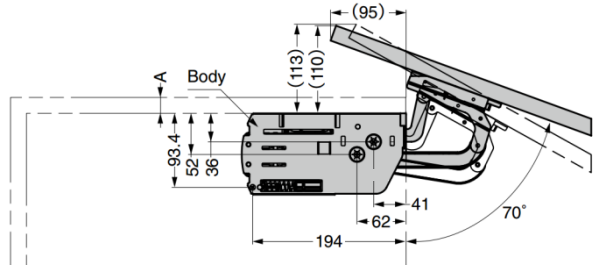
Quick Door Installation (Fig. 5)



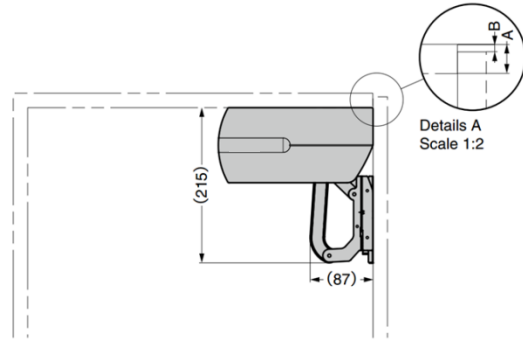
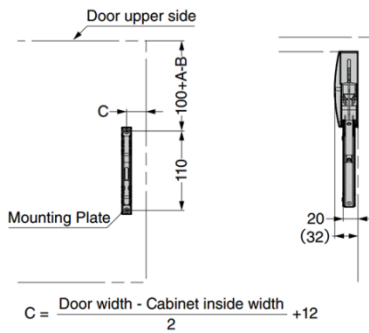
To install the door, simply hook the pin of main unit to the groove of mounting plate and lower the door until it clicks in place.



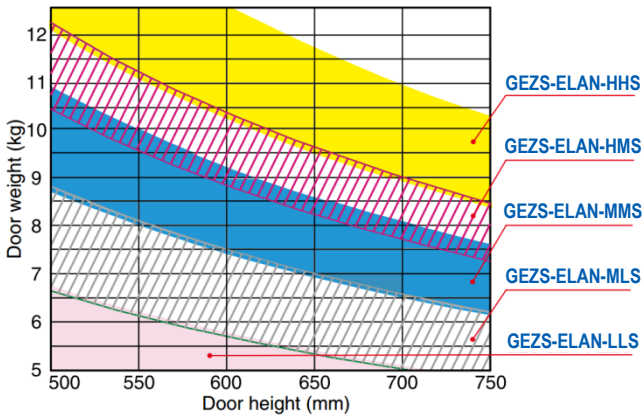
No.	Part Name	Material	Finish
①	Body Cover	ABS	-
②	Body	Steel (SECC)	-
③	Arm	Steel (SPCC)/POM	Nickel
④	Damper	-	-
⑤	Mounting Plate	Steel (SPCC)	Nickel



Installation



Door Size Ranges



Refer to the left graph or the following as a guide for model selection.

1. Calculation of lifting power

$$\text{Lifting power} = \text{Door height [mm]} \times (\text{Door weight [kg]} - 1)$$

Door size

- Door width: Max. 1200mm
- Door height: 500-750 mm
- Door weight: 5-12.5 kg

※ Confirm the movement with actual item if lifting power is at the upper or lower limit of each model.
※ Door weight includes handle.

2. Applicable models

Lifting Power	Model
1900-2860	GEZS-ELAN-LLS
2820-3900	GEZS-ELAN-MLS
3850-4950	GEZS-ELAN-MMS
4700-5600	GEZS-ELAN-HMS
5550-6930	GEZS-ELAN-HHS

Set Packing

Part No.	Material	Finish
GEZS-ELAN-LLS	Steel / ABS	Nickel / Light Grey
GEZS-ELAN-MLS		
GEZS-ELAN-MMS		
GEZS-ELAN-HMS		
GEZS-ELAN-HHS		

Bulk Packing

Part No.	Material	Finish
GEZS-ELAN-L	Steel / ABS	Nickel / Light Grey
GEZS-ELAN-M		
GEZS-ELAN-H		
GEZS-ELAN-COVER	aBS	Light Grey